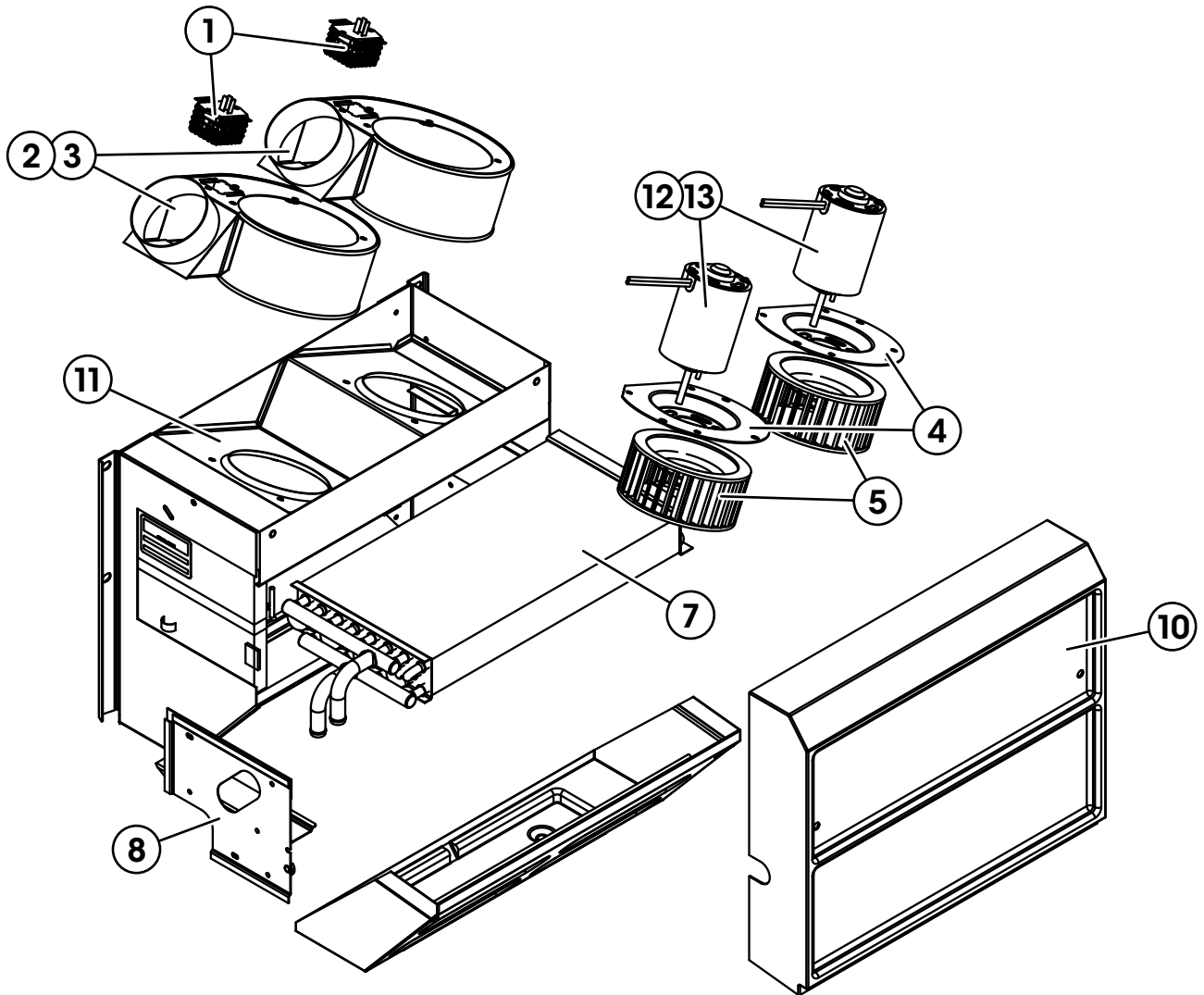


Heater Model R-5040-6

SERVICE PARTS LIST



ITEM	NOTE	PART NO.	DESCRIPTION	CAT. NO.
1		RD-5-3647-OP	Resistor (2 required)	71R1450
2		RD-3-3731-OP	Motor Blower Assembly-12v (2 required)	
3		RD-3-3731-1P	Motor Blower Assembly- 24v (2 required)	
4		RD-4101-6P	Motor Mount (2 required)	
5		RD-3106-38P	Blower Wheel (2 required)	73R6101
6		RD-3-2220-OP	Blower Assembly (2 required)	
7		RD-1-0325-OP	Heater Core	76R3500

ITEM	NOTE	PART NO.	DESCRIPTION	CAT. NO.
8		RD-3-2415-2P	Core Cover	
9		RD-3205-29P	Air Intake Cover Assembly	
10		RD-3-2652-1P	Core Cover Assembly	
11		RD-3-2649-1P	Housing Assembly	
12		RD-5-6526-OP	Motor- 12v (2 required)	73R0422
13		RD-5-3751-24P	Motor- 24v (2 required)	73R0454
14	A	RD-5-3948-OP	Label- 24v	

NOTES: A= Not shown

RED DOT CORPORATION

P.O.Box 58270 Seattle, WA 98138 (206) 575-3840 AMCustomerService@RedDotCorp.com

RD-3-2703-0 (REV B)

FOR REFERENCE ONLY. SUBJECT TO CHANGE WITHOUT NOTICE